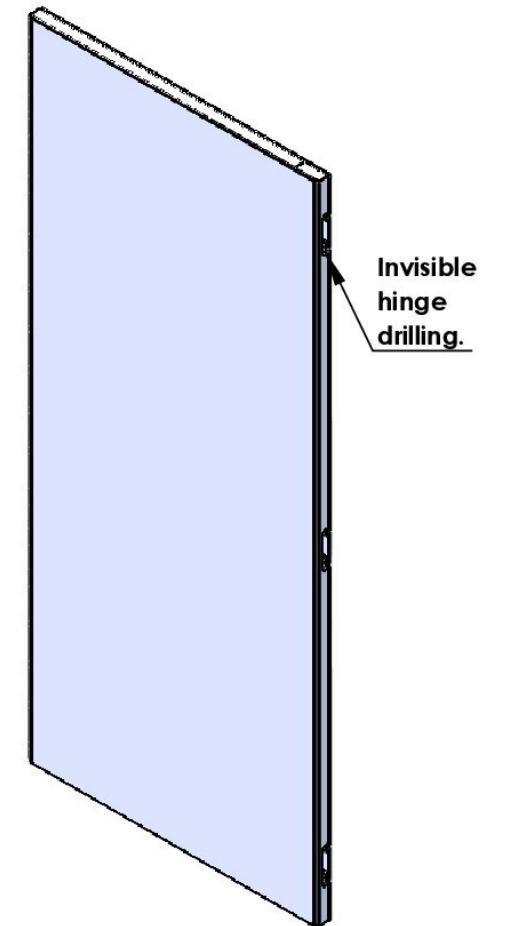
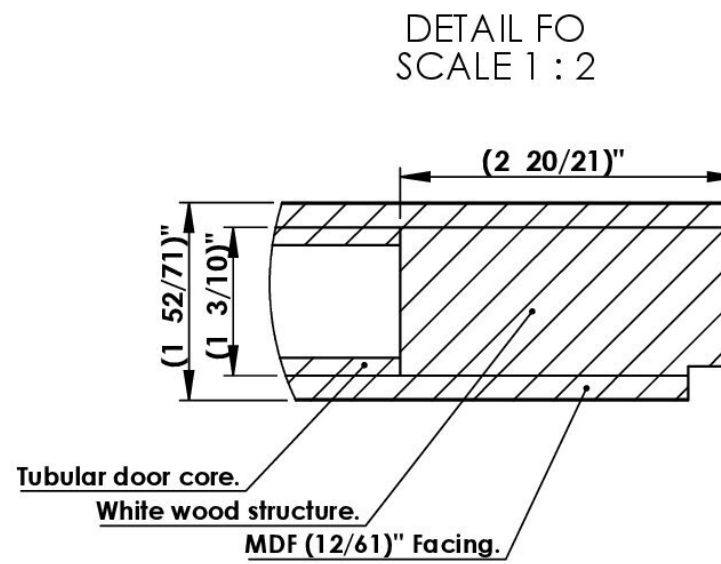
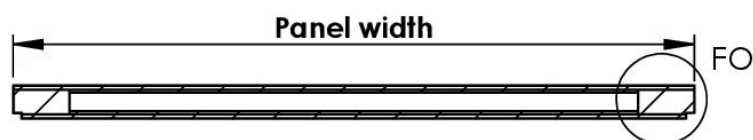


CUT FN-FN
ECHELLE 1 : 12



Without SLOPE.
Without Edge banding.

Invisible hinge drilling.
Lock drilling.
Singel panel without frame.

PRIMED	
REF	PANEL WIDTH
060-2	(31 ⁴⁷ / ₆₄)"
060-3	(27 ⁵¹ / ₆₄)"
060-4	(29 ⁴⁹ / ₆₄)"
060-5	(35 ³ / ₄)"